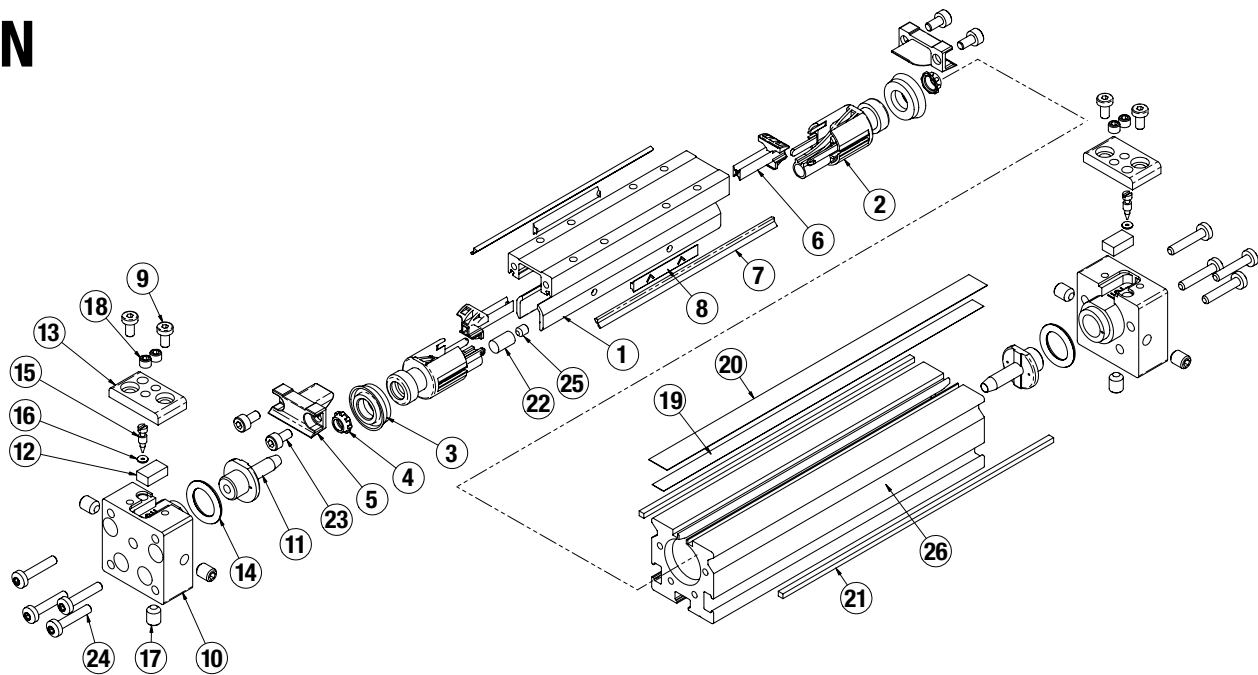


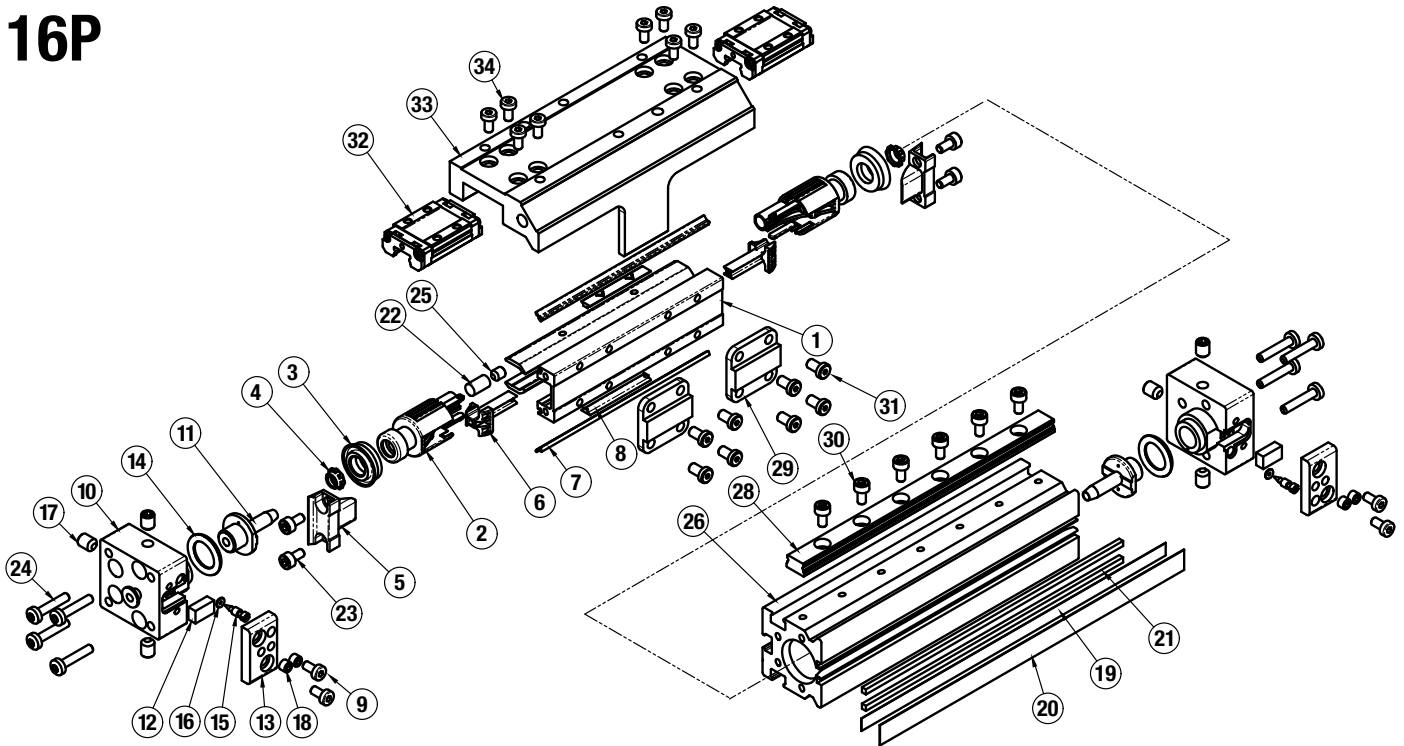
ITEM	PART NO.	DESCRIPTION	QTY.	ITEM	PART NO.	DESCRIPTION	QTY.
1	8116-1512	PISTON BRACKET (inch)	1	19	8116-1017	SEAL BAND	A/R
	8116-1012	PISTON BRACKET (metric)	1	20	8116-1018	DUST BAND	A/R
2	8116-1005	PISTON, PL, MACH	2	21	8116-1019	MAGNET STRIP, RUBBER, MACH	2
3	6906-1024	U-CUP, POLYURETHANE	2	22	8116-1008	MAGNET, DISC, .186 DIA. X .313 THK	1
4	6906-1022	SEAL, CUSHION	2	23	0601-1038	SHCS, M3X0.5, 6MM, SS	4
5	8116-1006	CAP, END	2	24	8316-1022	PHCS, TORX, M3X0.5, 16MM, ZINC	8
6	8116-1007	BAND RAMP	2	25	7906-1029	SET SCREW, M5-0.8 X 6MM, BLK	1
7	8116-1059	WIPER	2	26	8116-1010	TUBE	A/R
8	8116-1028	BRNG, PL_N(L1)	2	27		SHIM	2
9	8125-1022	LHCS, M3X0.5, 6MM, BLK, DIN 7984	4	28	8116-1030	BRNG, PL, L2	2
10	8116-1011	HEAD, METRIC MOUNT, INCH PORT	2	29	8116-1514	CARRIER, L2, MACH, LOWER (inch)	1
	8116-1511	HEAD, INCH MOUNT, INCH PORT	2		8116-1014	CARRIER, L2, MACH, LOWER (metric)	1
	8116-1047	HEAD, METRIC MOUNT, METRIC PORT	2	30	8116-1513	CARRIER, L2, MACH, UPPER (inch)	1
	8116-1547	HEAD, INCH MOUNT, METRIC PORT	2		8116-1013	CARRIER, L2, MACH, UPPER (metric)	1
11	6906-1023	SPEAR, CUSHION, BC406	2	31	8116-1515	LOCK SCREW, LHCS, #6-32X0.25, SS	2
12	8116-1039	CLAMP, SEAL BAND	2		8125-1022	LOCK SCREW, LHCS, M3X0.5, 6MM, BLK	2
13	8116-1032	CLAMP, DUST BAND	2	32	8116-1575	TENSION SCREW, SET SCREW, #6-32	2
14	6906-1065	O-RING, BUNA-N	2			TENSION SCREW, SET SCREW, M4	
15	6906-1026	SCREW, NEEDLE CUSHION, #4-48, SS	2	33	8140-1075	BHCS, M4X0.7, 12MM, SS	4
16	0912-1101	O-RING, BUNA-N	2	34	8116-1015	CAP, END, L2	2
17	5910-1008	SET SCREW, #10-32x0.25, FLAT, BLK	6	35	3417-1451	PIN, DOWEL, .125" X .375"	6
	7906-1029	SET SCREW, M5-0.8 X 6MM, BLK	6	36	0601-1145	SET SCREW, M3X0.5, 3MM, FLAT, SS	2
18	8116-1071	SET SCREW, M4X0.7, 4MM, CONE, SS	4				

# 16N



ITEM	PART NO.	DESCRIPTION	QTY.	ITEM	PART NO.	DESCRIPTION	QTY.
1	8116-1512	PISTON BRACKET (inch)	1	13	8116-1032	CLAMP, DUST BAND	2
	8116-1012	PISTON BRACKET (metric)	1	14	6906-1065	O-RING, BUNA-N	2
2	8116-1005	PISTON, PL, MACH	2	15	6906-1026	SCREW, NEEDLE CUSHION, #4-48, SS	2
3	6906-1024	U-CUP, POLYURETHANE	2	16	0912-1101	O-RING, BUNA-N	2
4	6906-1022	SEAL, CUSHION	2	17	5910-1008	SET SCREW, #10-32x0.25, FLAT, BLK	6
5	8116-1006	CAP, END	2		7906-1029	SET SCREW, M5-0.8 X 6MM, BLK	6
6	8116-1007	BAND RAMP	2	18	8116-1071	SET SCREW, M4X0.7, 4MM, CONE, SS	4
7	8116-1059	WIPER	2	19	8116-1017	SEAL BAND	A/R
8	8116-1028	BRNG, PL_N(L1)	2	20	8116-1018	DUST BAND	A/R
9	8125-1022	LHCS, M3X0.5, 6MM, BLK, DIN 7984	4	21	8116-1019	MAGNET STRIP, RUBBER, MACH	2
10	8116-1011	HEAD, METRIC MOUNT, INCH PORT	2	22	8116-1008	MAGNET, DISC, .186 DIA. X .313 THK	1
	8116-1511	HEAD, INCH MOUNT, INCH PORT	2	23	0601-1038	SHCS, M3X0.5, 6MM, SS	4
	8116-1047	HEAD, METRIC MOUNT, METRIC PORT	2	24	8316-1022	PHCS, TORX, M3X0.5, 16MM, ZINC	8
	8116-1547	HEAD, INCH MOUNT, METRIC PORT	2	25	7906-1029	SET SCREW, M5-0.8 X 6MM, BLK	1
11	6906-1023	SPEAR, CUSHION, BC406	2	26	8116-1010	TUBE	A/R
12	8116-1039	CLAMP, SEAL BAND	2	27		SHIM	2

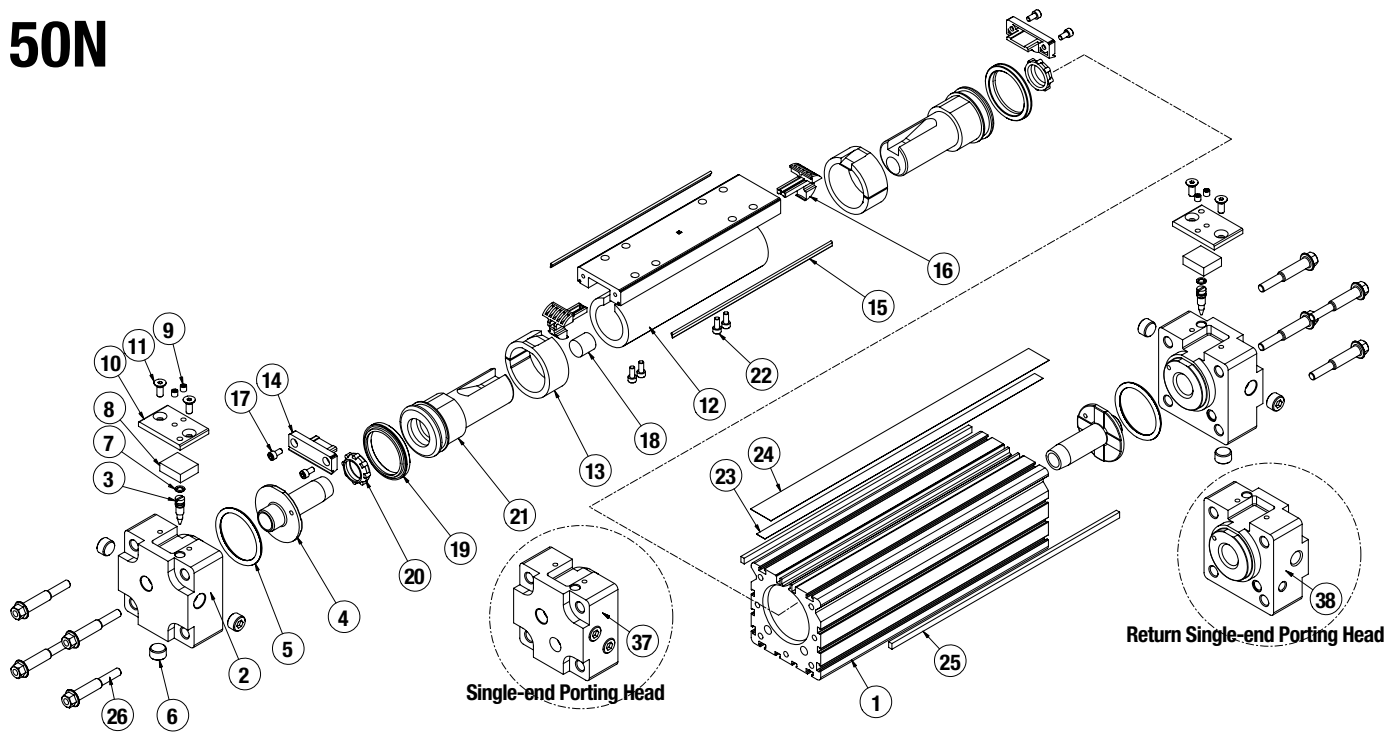
# 16P



ITEM	PART NO.	DESCRIPTION	QTY.
1	8116-1512	PISTON BRACKET (inch)	1
	8116-1012	PISTON BRACKET (metric)	1
2	8116-1005	PISTON, PL, MACH	2
3	6906-1024	U-CUP, POLYURETHANE	2
4	6906-1022	SEAL, CUSHION	2
5	8116-1006	CAP, END	2
6	8116-1007	BAND RAMP	2
7	8116-1059	WIPER	2
8	8116-1028	BRNG, PL_N(L1)	2
9	8125-1022	LHCS, M3X0.5, 6MM, BLK, DIN 7984	4
10	8116-1011	HEAD, METRIC MOUNT, INCH PORT	2
	8116-1511	HEAD, INCH MOUNT, INCH PORT	2
	8116-1047	HEAD, METRIC MOUNT, METRIC PORT	2
	8116-1547	HEAD, INCH MOUNT, METRIC PORT	2
11	6906-1023	SPEAR, CUSHION, BC406	2
12	8116-1039	CLAMP, SEAL BAND	2
13	8116-1032	CLAMP, DUST BAND	2
14	6906-1065	O-RING, BUNA-N	2
15	6906-1026	SCREW, NEEDLE CUSHION, #4-48, SS	2
16	0912-1101	O-RING, BUNA-N	2
17	5910-1008	SET SCREW, #10-32x0.25, FLAT, BLK	6
	7906-1029	SET SCREW, M5-0.8 X 6MM, BLK	6

ITEM	PART NO.	DESCRIPTION	QTY.
18	8116-1071	SET SCREW, M4X0.7, 4MM, CONE, SS	4
19	8116-1017	SEAL BAND	A/R
20	8116-1018	DUST BAND	A/R
21	8116-1019	MAGNET STRIP, RUBBER, MACH	2
22	8116-1008	MAGNET, DISC, .186 DIA. X .313 THK	1
23	0601-1038	SHCS, M3X0.5, 6MM, SS	4
24	8316-1022	PHCS, TORX, M3X0.5, 16MM, ZINC	8
25	7906-1029	SET SCREW, M5-0.8 X 6MM, BLK	1
26	8116-1016	TUBE, PROFILE RAIL, TAPPED	A/R
27		SHIM	2
28	8116-1051	BRNG, LN, RAIL, 10H X 20W, MACH	A/R
29	8116-1034	PLT, ADJUSTMENT, CARR, L3, MX_16	2
30	4905-1005	SHCS, M3X0.5, 6MM, BLK	A/R
31	8116-1515	LHCS, #6-32X0.25, SS	8
	8125-1022	LHCS, M3X0.5, 6MM, BLK, DIN 7984	8
32	8116-1044	BRNG, LN, BLOCK, 10H X 20W, THK	2
33	8116-1521	CARRIER, L3, MACH (inch)	1
	8116-1021	CARRIER, L3, MACH, (metric)	1
34	8125-1022	LHCS, M3 X 0.5, 6MM, BLK	8

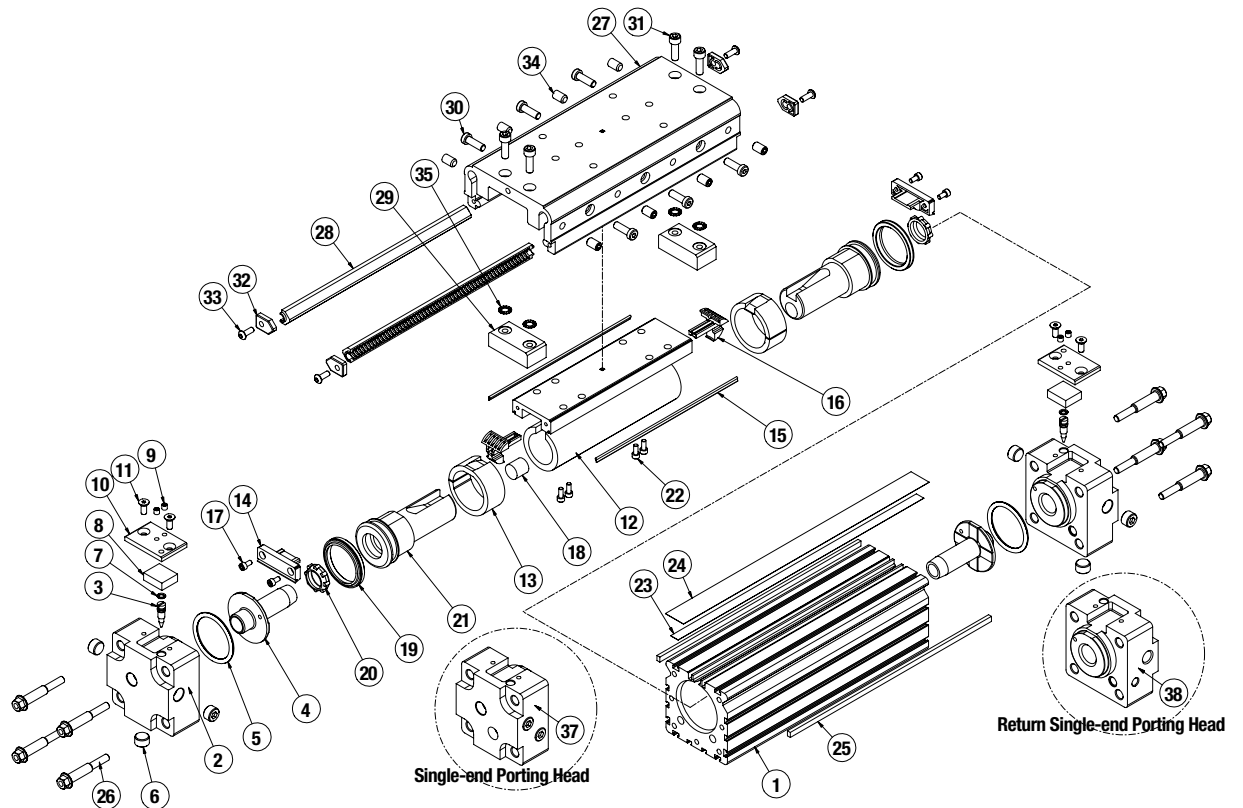
# 50N



ITEM	PART NO.	DESCRIPTION	QTY.
1	8150-1010	TUBE	A/R
2	8150-1011	HEAD,MACH,NPT	2
	8150-1046	HEAD,MACH,MT	2
	8150-1047	HEAD,MACH,MP	2
3	8150-1065	SCREW,NDLE CUSH,1/4-28,SS	2
4	0920-1158	CUSHION TUBE,2"BC,INJ MOLDED	2
5	0920-1061	O-RING,BUNA-N,1.732	2
6	0920-1029	FTG,PIPE,3/8-18NPT PLUG	6
	4920-1029	FTG,PIPE,3/8-19 PLUG	6
	5920-1006	FTG,PIPE,G 3/8	6
7	0910-1178	O-RING, BUNA-N, -007	2
8	8150-1038	WEDGE,BAND	2
9	0915-1044	SCREW,SET,1/4-28X0.25,FLAT,BLK	4
10	8150-1039	CLAMP,BAND,MACH	2
11	6000-1765	FHCS,1/4-28X0.63,BLK	4
12	8150-1512	PISTON BRKT,MACH,IMP	1
	8150-1012	PISTON BRKT,MACH	1
13	8150-1005	WEAR RING,PL	2

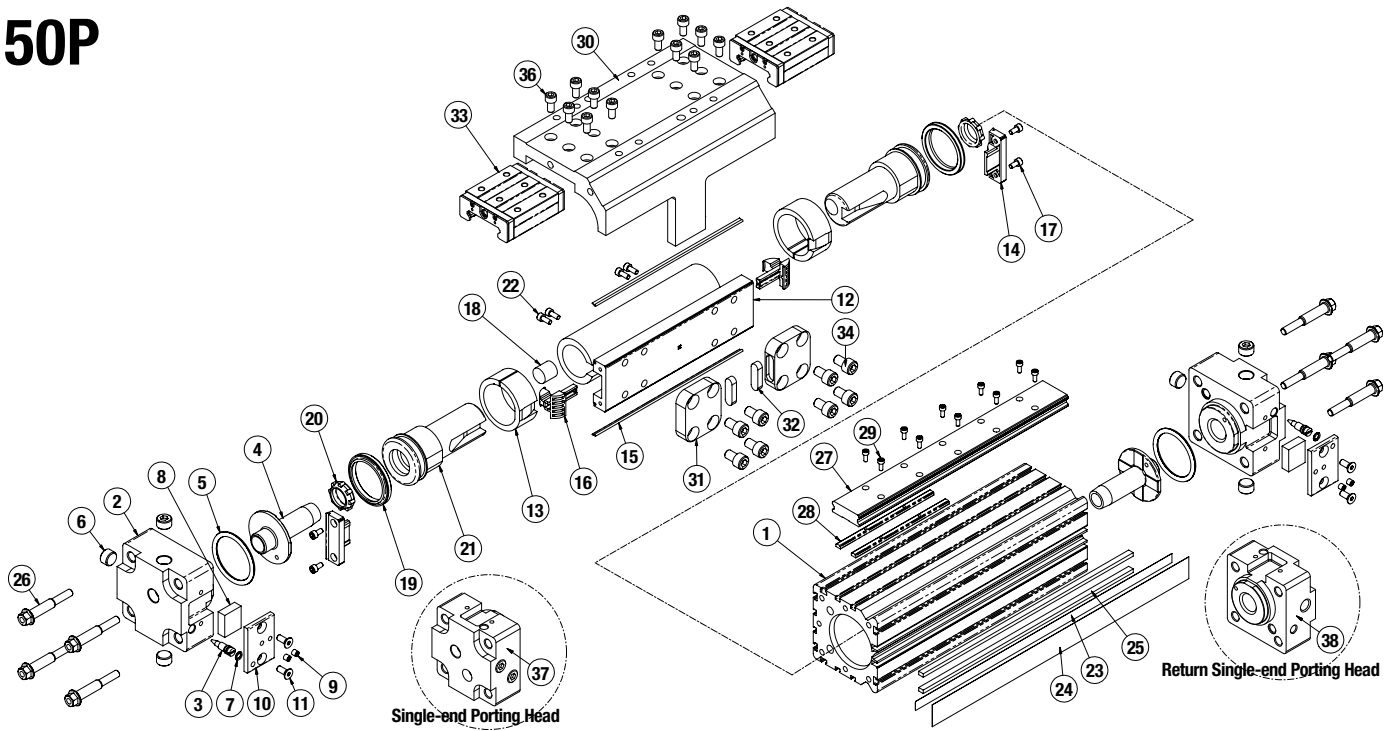
ITEM	PART NO.	DESCRIPTION	QTY.
14	8150-1006	CAP,END	2
15	8150-1059	WIPER	2
16	8150-1007	RAMP,BAND	2
17	0603-1016	SHCS,M5X0.8,10MM,SS	4
18	8140-1058	MAGNET,DISC,.500 DIA. X .750 THK	1
19	0920-1028	U-CUP,1.558 X .174	2
20	0920-1027	SEAL,CUSHION,BC20	2
21	8150-1004	PISTON,AL	2
22	8125-1071	LHCS,M5X0.8,12MM,DIN6912,SS	4
23	8150-9040	SEAL BAND	A/R
24	8150-1018	DUST BAND	A/R
25	8150-1019	MAGNET STRIP,RUBBER,MACH	2
26	0925-1087	SCREW,S-TAP,M8X1.25X25x66mm (inch)	8
	4925-1047	SCREW,S-TAP,M8x66mm,NICK (metric)	8
37	8150-1014	OPTIONAL HEAD, SINGLE-END PORTING, NPT	1
	8150-1048	OPTIONAL HEAD, SINGLE-END PORTING, MT	1
	8150-1049	OPTIONAL HEAD, SINGLE-END PORTING, MP	1
38	8150-1015	OPTIONAL HEAD, RETURN	1

# 50S



ITEM	PART NO.	DESCRIPTION	QTY.	ITEM	PART NO.	DESCRIPTION	QTY.
1	8150-1010	TUBE	A/R	21	8150-1004	PISTON,AL	2
2	8150-1011	HEAD,MACH,NPT	2	22	8125-1071	LHCS,M5X0.8,12MM,DIN6912,SS	4
	8150-1046	HEAD,MACH,MT	2	23	8150-9040	SEAL BAND	A/R
	8150-1047	HEAD,MACH,MP	2	24	8150-1018	DUST BAND	A/R
3	8150-1065	SCREW,NDLE CUSH,1/4-28,SS	2	25	8150-1019	MAGNET STRIP,RUBBER,MACH	2
4	0920-1158	CUSHION TUBE,2"BC,INJ MOLDED	2	26	0925-1087	SCREW,S-TAP,M8X1.25X25x66mm (inch)	8
5	0920-1061	O-RING,BUNA-N,1.732	2		4925-1047	SCREW,S-TAP,M8x66mm,NICK (metric)	8
6	0920-1029	FTG,PIPE,3/8-18NPT PLUG	6	27	8150-1513	CARRIER,L2, (inch)	1
	4920-1029	FTG,PIPE,3/8-19 PLUG	6		8150-1013	CARRIER,L2, (metric)	1
	5920-1006	FTG,PIPE,G 3/8	6	28	8150-1030	BRNG,PL,L2	2
7	0910-1178	O-RING, BUNA-N, -007	2	29	8150-1025	SPCR,BLOCK,CARR,L2	2
8	8150-1038	WEDGE,BAND	2	30	2317-1014	TENSION SCREW, SHCS,1/4-20X0.63	6
9	0915-1044	SCREW,SET,1/4-28X0.25,FLAT,BLK	4		8132-1061	TENSION SCREW, SHCS,M6X1.0,16MM	6
10	8150-1039	CLAMP,BAND,MACH	2	31	8163-1071	LHCS,M8X1.25,25MM,SS,DIN 7984	4
11	6000-1765	FHCS,1/4-28X0.63,BLK	4	32	8150-1031	CAP,END,PL,L2	4
12	8150-1512	PISTON BRKT,MACH,IMP	1	33	8140-1075	BHCS,M4X0.7,12MM,SS	4
	8150-1012	PISTON BRKT,MACH	1	34	8150-1570	LOCK SCREW,SET,#10-32X0.50,FLAT	8
13	8150-1005	WEAR RING,PL	2		8150-1073	LOCK SCREW,SET,M5X0.8,12MM,FLAT	8
14	8150-1006	CAP,END	2	35	8150-1026	WASHER,LOCK,EXT,M8,DIN 6798-A	4
15	8150-1059	WIPER	2	36	3415-1455	SCREW,SET,1/4-20 x .25,CONE	2
16	8150-1007	RAMP,BAND	2	37	8150-1014	OPTIONAL HEAD, SINGLE-END PORTING, NPT	1
17	0603-1016	SHCS,M5X0.8,10MM,SS	4		8150-1048	OPTIONAL HEAD, SINGLE-END PORTING, MT	1
18	8140-1058	MAGNET,DISC,.500 DIA. X .750 THK	1		8150-1049	OPTIONAL HEAD, SINGLE-END PORTING, MP	1
19	0920-1028	U-CUP,1.558 X .174	2	38	8150-1015	OPTIONAL HEAD, RETURN	1
20	0920-1027	SEAL,CUSHION,BC20	2				

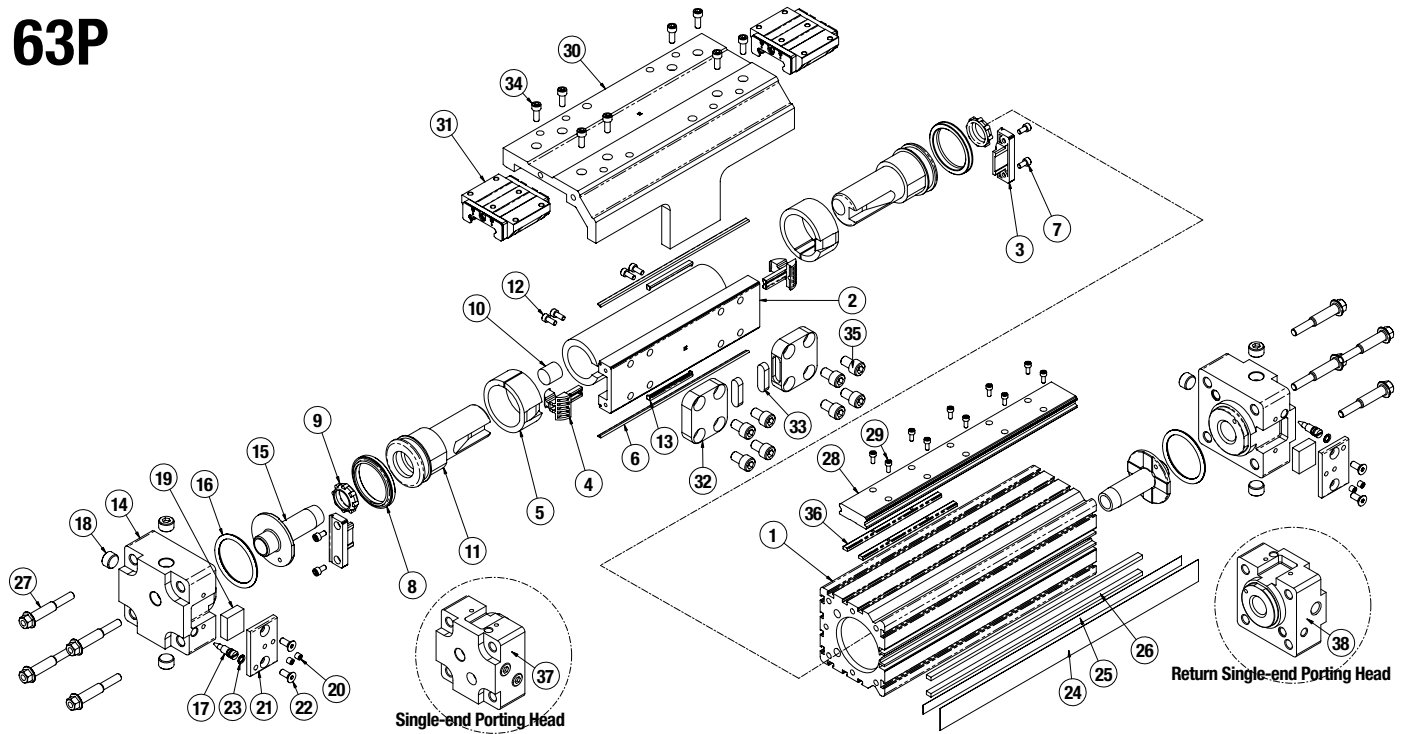
# 50P



ITEM	PART NO.	DESCRIPTION	QTY.
1	8150-1010	TUBE	A/R
2	8150-1011	HEAD,MACH,NPT	2
	8150-1046	HEAD,MACH,MT	2
	8150-1047	HEAD,MACH,MP	2
3	8150-1065	SCREW,NDLE CUSH,1/4-28,SS	2
4	0920-1158	CUSHION TUBE,2"BC,INJ MOLDED	2
5	0920-1061	O-RING,BUNA-N,1.732	2
6	0920-1029	FTG,PIPE,3/8-18NPT PLUG	6
	4920-1029	FTG,PIPE,3/8-19 PLUG	6
	5920-1006	FTG,PIPE,G 3/8	6
7	0910-1178	O-RING, BUNA-N, -007	2
8	8150-1038	WEDGE,BAND	2
9	0915-1044	SCREW,SET,1/4-28X0.25,FLAT,BLK	4
10	8150-1039	CLAMP,BAND,MACH	2
11	6000-1765	FHCS,1/4-28X0.63,BLK	4
12	8150-1512	PISTON BRKT,MACH,IMP	1
	8150-1012	PISTON BRKT,MACH	1
13	8150-1005	WEAR RING, PL	2
14	8150-1006	CAP,END	2
15	8150-1059	WIPER	2
16	8150-1007	RAMP,BAND	2
17	0603-1016	SHCS,M5X0.8,10MM,SS	4
18	8140-1058	MAGNET,DISC,.500 DIA. X .750 THK	1
19	0920-1028	U-CUP,1.558 X .174	2

ITEM	PART NO.	DESCRIPTION	QTY.
20	0920-1027	SEAL,CUSHION,BC20	2
21	8150-1004	PISTON,AL	2
22	8125-1071	LHCS,M5X0.8,12MM,DIN6912,SS	4
23	8150-9040	SEAL BAND	A/R
24	8150-1018	DUST BAND	A/R
25	8150-1019	MAGNET STRIP,RUBBER,MACH	2
26	0925-1087	SCREW,S-TAP,M8X1.25X25x66mm (inch)	8
	4925-1047	SCREW,S-TAP,M8x66mm,NICK (metric)	8
27	8150-1051	BRNG,LN,RAIL,27HX62W,MACH,MX_50	A/R
28	8150-1053	NUT,RAIL,MACH,MX_50,M4	A/R
29	4415-1024	SHCS,M4X0.7,14MM,BLK	A/R
30	8150-1521	CARRIER,L3,MACH,IMP,MX_50	1
	8150-1021	CARRIER,L3,MACH,MX_50	1
31	8150-1034	PLT,ADJUSTMENT,CARR,L3,MX_50	2
32	8132-1076	BEARING,L3 CARRIER,MX_32	2
33	8150-1044	BRNG,LN,BLOCK,27HX62WX97.6L	2
34	2317-1015	SHCS,5/16-18X0.63,BLK	8
	8150-1061	LHCS,M8X1.25,16MM,SS	8
36	8150-1070	SHCS,M6X1.0,12MM,BLK	12
37	8150-1014	OPTIONAL HEAD, SINGLE-END PORTING, NPT	1
	8150-1048	OPTIONAL HEAD, SINGLE-END PORTING, MT	1
	8150-1049	OPTIONAL HEAD, SINGLE-END PORTING, MP	1
38	8150-1015	OPTIONAL HEAD, RETURN	1

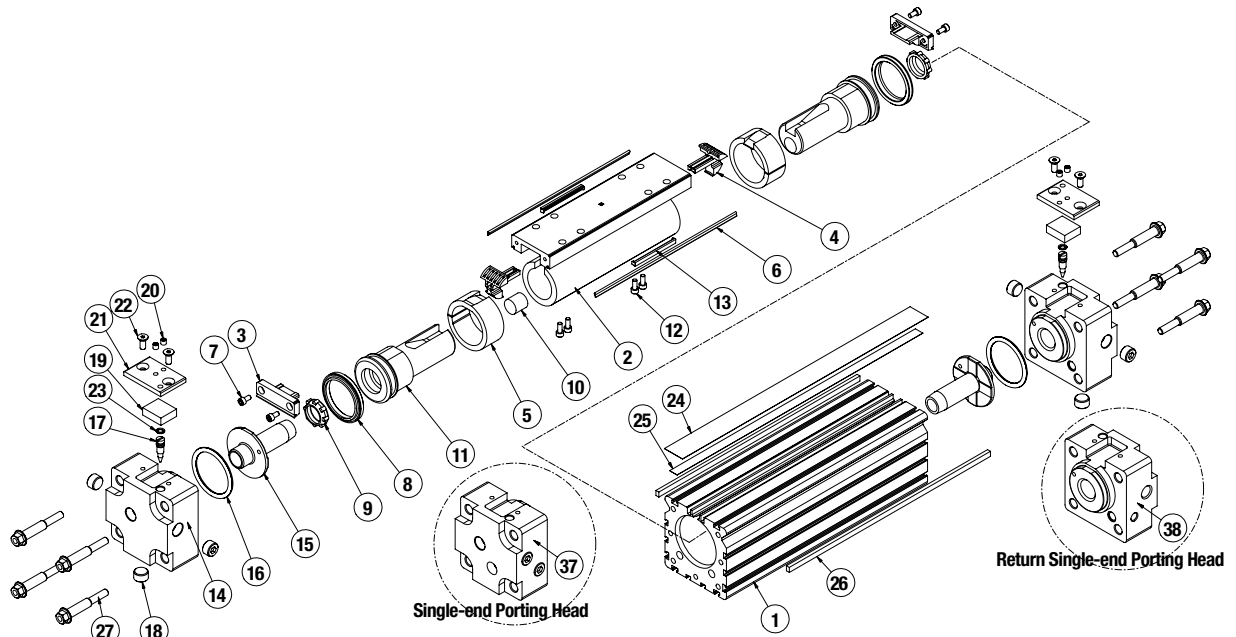
# 63P



ITEM	PART NO.	DESCRIPTION	QTY.
1	8163-1010	TUBE	A/R
2	8163-1012	PISTON BRACKET (inch)	1
	8163-1512	PISTON BRACKET (metric)	1
3	8163-1006	END CAP	2
4	8163-1007	BAND RAMP	2
5	8163-1005	WEAR RING, PL	2
6	8163-1059	WIPER	2
7	0603-1016	SHCS, M5X0.8, 10MM, SS	4
8	0925-1027	U-CUP, 1.971 X .224	2
9	0925-1012	CUSHION SEAL	2
10	8163-1058	MAGNET, DISC, .750 DIA. X .750 THK	1
11	8163-1004	PISTON, AL	2
12	4910-1004	SHCS, M5X0.8, 12MM, BLK	4
13	8163-1028	BEARING, PLN(L1)	2
14	8163-1011	HEAD, MACH, NPT	2
	8163-1046	HEAD, MACH, MT	2
	8163-1047	HEAD, MACH, MP	2
15	0925-1158	CUSH TUBE, 2.5BC, INJ MOLDED	2
16	0774-1007	O-RING, BUNA-N, -330	2
17	8163-1065	SCREW, NDLE CUSH, 5/16-24, SS	2
18	0920-1029	FTG, PIPE, 3/8-18NPT PLUG	6
	4920-1029	FTG, PIPE, 3/8-19 PLUG	6
	0920-1024	FHCS, 1/4-20X0.63, BLK	6
19	8163-1038	BAND WEDGE	2

ITEM	PART NO.	DESCRIPTION	QTY.
20	0915-1044	SCREW, SET, 1/4-28X0.25, FLAT, BLK	4
21	8163-1039	CLAMP, DUST BAND, MACH	2
22	0920-1024	FHCS, 1/4-20X0.63, BLK	4
23	0720-1003	O-RING, BUNA-N, -010	2
24	8163-1018	DUST BAND	A/R
25	8163-9040	SEAL BAND	A/R
26	8163-1019	MAGNET STRIP, RUBBER	A/R
27	4925-1047	SCREW, S-TAP, M8x66mm, NICK	8
	0925-1087	SCREW, S-TAP, M8X1.25X25x66MM	8
27	8163-1051	BRNG, LN, RAIL, 27H X 80W	A/R
29	4415-1024	SHCS, M4X0.7, 14MM, BLK	A/R
30	8163-1021	CARRIER, L3, MACH (metric)	1
	8163-1521	CARRIER, L3, MACH (inch)	1
31	8163-1044	BRNG, LN, BLOCK, 27H X 80W, THK	2
32	8163-1034	PLT, ADJUSTMENT, CARR, L3	2
33	8163-1076	BRNG, L3, CARRIER	2
34	4415-1000	SHCS, M6X1.0, 16MM, BLK, SG (metric)	8
	2324-1014	SHCS, 3/8-16X0.63 (inch)	8
35	8163-1572	LOCK SCREW, 3/8-16X.63, FLAT	8
36	8163-1053	NUT, RAIL, MACH, MX_63, M4	2
37	8163-1014	OPTIONAL HEAD, SINGLE-END PORTING, NPT	1
	8163-1048	OPTIONAL HEAD, SINGLE-END PORTING, MT	1
	8163-1049	OPTIONAL HEAD, SINGLE-END PORTING, MP	1
38	8163-1015	OPTIONAL HEAD, RETURN	1

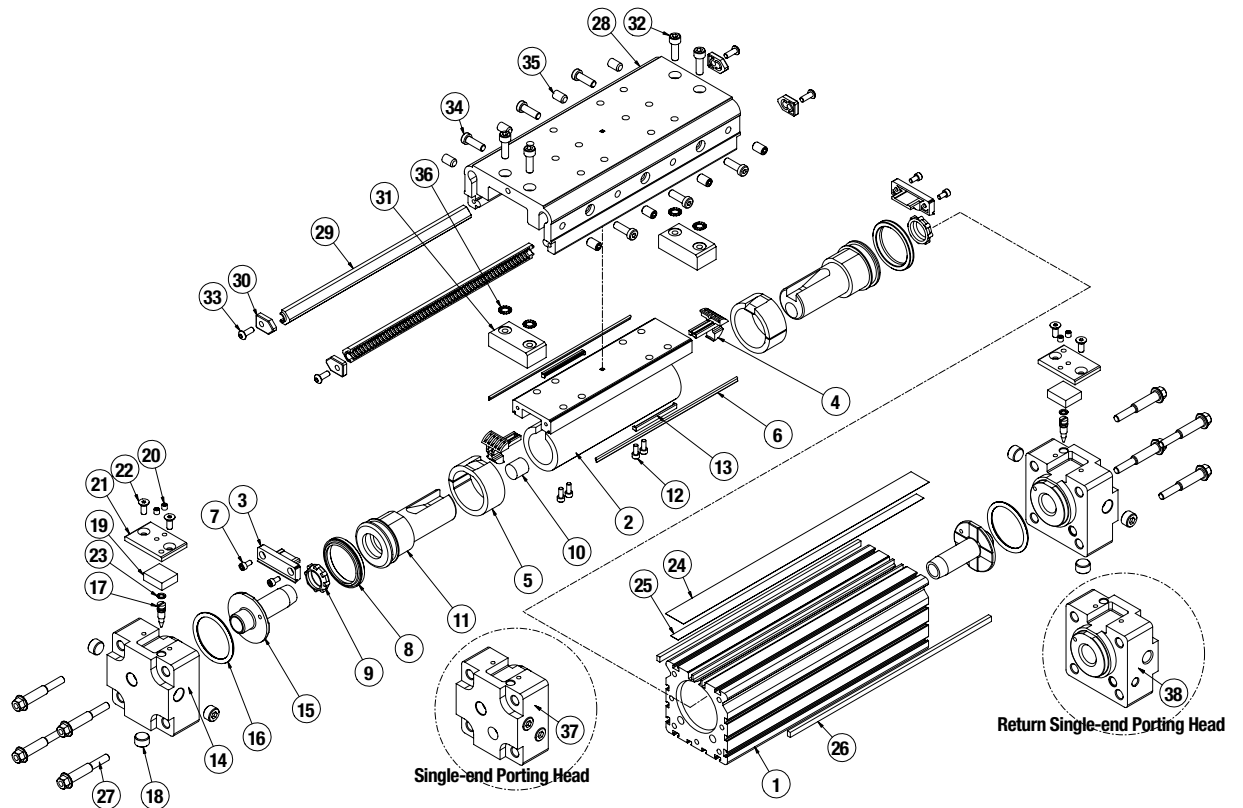
# 63N



ITEM	PART NO.	DESCRIPTION	QTY.
1	8163-1010	TUBE	A/R
2	8163-1012	PISTON BRACKET (inch)	1
	8163-1512	PISTON BRACKET (metric)	1
3	8163-1006	END CAP	2
4	8163-1007	BAND RAMP	2
5	8163-1005	WEAR RING, PL	2
6	8163-1059	WIPER	2
7	0603-1016	SHCS, M5X0.8, 10MM, SS	4
8	0925-1027	U-CUP, 1.971 X .224	2
9	0925-1012	CUSHION SEAL	2
10	8163-1058	MAGNET, DISC, .750 DIA. X .750 THK	1
11	8163-1004	PISTON, AL	2
12	4910-1004	SHCS, M5X0.8, 12MM, BLK	4
13	8163-1028	BEARING, PLN(L1)	2
14	8163-1011	HEAD, MACH, NPT	2
	8163-1046	HEAD, MACH, MT	2
	8163-1047	HEAD, MACH, MP	2
15	0925-1158	CUSH TUBE, 2.5BC, INJ MOLDED	2
16	0774-1007	O-RING, BUNA-N, -330	2

ITEM	PART NO.	DESCRIPTION	QTY.
17	8163-1065	SCREW, NDLE CUSH, 5/16-24, SS	2
18	0920-1029	FTG, PIPE, 3/8-18NPT PLUG	6
	4920-1029	FTG, PIPE, 3/8-19 PLUG	6
	0920-1024	FHCS, 1/4-20X0.63, BLK	6
19	8163-1038	BAND WEDGE	2
20	0915-1044	SCREW, SET, 1/4-28X0.25, FLAT, BLK	4
21	8163-1039	CLAMP, DUST BAND, MACH	2
22	0920-1024	FHCS, 1/4-20X0.63, BLK	4
23	0720-1003	O-RING, BUNA-N, -010	2
24	8163-1018	DUST BAND	A/R
25	8163-9040	SEAL BAND	A/R
26	8163-1019	MAGNET STRIP, RUBBER	A/R
27	4925-1047	SCREW, S-TAP, M8x66mm, NICK	8
	0925-1087	SCREW, S-TAP, M8X1.25X25x66MM	8
37	8163-1014	OPTIONAL HEAD, SINGLE-END PORTING, NPT	1
	8163-1048	OPTIONAL HEAD, SINGLE-END PORTING, MT	1
	8163-1049	OPTIONAL HEAD, SINGLE-END PORTING, MP	1
38	8163-1015	OPTIONAL HEAD, RETURN	1





ITEM	PART NO.	DESCRIPTION	QTY.
1	8163-1010	TUBE	A/R
2	8163-1012	PISTON BRACKET (inch)	1
	8163-1512	PISTON BRACKET (metric)	1
3	8163-1006	END CAP	2
4	8163-1007	BAND RAMP	2
5	8163-1005	WEAR RING, PL	2
6	8163-1059	WIPER	2
7	0603-1016	SHCS, M5X0.8, 10MM, SS	4
8	0925-1027	U-CUP, 1.971 X .224	2
9	0925-1012	CUSHION SEAL	2
10	8163-1058	MAGNET, DISC, .750 DIA. X .750 THK	1
11	8163-1004	PISTON, AL	2
12	4910-1004	SHCS, M5X0.8, 12MM, BLK	4
13	8163-1028	BEARING, PLN(L1)	2
14	8163-1011	HEAD, MACH, NPT	2
	8163-1046	HEAD, MACH, MT	2
	8163-1047	HEAD, MACH, MP	2
15	0925-1158	CUSH TUBE, 2.5BC, INJ MOLDED	2
16	0774-1007	O-RING, BUNA-N, -330	2
17	8163-1065	SCREW, NDLE CUSH, 5/16-24, SS	2
18	0920-1029	FTG, PIPE, 3/8-18NPT PLUG	6
	4920-1029	FTG, PIPE, 3/8-19 PLUG	6
	0920-1024	FHCS, 1/4-20X0.63, BLK	6
19	8163-1038	BAND WEDGE	2
20	0915-1044	SCREW, SET, 1/4-28X0.25, FLAT, BLK	4

ITEM	PART NO.	DESCRIPTION	QTY.
21	8163-1039	CLAMP, DUST BAND, MACH	2
22	0920-1024	FHCS, 1/4-20X0.63, BLK	4
23	0720-1003	O-RING, BUNA-N, -010	2
24	8163-1018	DUST BAND	A/R
25	8163-9040	SEAL BAND	A/R
26	8163-1019	MAGNET STRIP, RUBBER	A/R
27	4925-1047	SCREW, S-TAP, M8x66mm, NICK	8
	0925-1087	SCREW, S-TAP, M8X1.25X25x66MM	8
28	8163-1013	CARRIER, L2, MACH (metric)	1
	8163-1513	CARRIER, L2, MACH (inch)	1
29	8163-1030	BEARING, PL, L2	2
30	8163-1031	END CAP, PL, L2	4
31	8163-1025	SPCR, BLOCK, CARR, L2	2
32	2164-1065	SHCS, M8X1.25, 25MM, SS	4
33	2750-1049	BHCS, M6X1.0, 16MM, SS	4
34	8163-1071	TENSION SCREW, LHCS, M8X1.25, 25MM	6
	1009-1065	TENSION SCREW, SHCS, 5/16-18X1.00	6
35	8163-1072	LOCK SCREW, M10X1.5, 16MM, FLAT	8
	8163-1572	LOCK SCREW, 3/8-16X.63, FLAT	8
36	8150-1026	WASHER, LOCK, EXT, M8, DIN 6798-A	4
37	8163-1014	OPTIONAL HEAD, SINGLE-END PORTING, NPT	1
	8163-1048	OPTIONAL HEAD, SINGLE-END PORTING, MT	1
	8163-1049	OPTIONAL HEAD, SINGLE-END PORTING, MP	1
38	8163-1015	OPTIONAL HEAD, RETURN	1