

SS2 STAINLESS STEEL ELECTRIC ACTUATOR WITH INTEGRATED MOTOR

ERD-SS2

The all 300 series stainless-steel ERD for 10, 15 & 20 sizes incorporates hygienic design principles and includes a protective enclosure for Tolomatic stepper/servo motors. (10 size: stepper motor only)
The SS2 has an IP69k rating (static). The SS2 is built-to-order in stroke lengths up to 0.6 m (24").

MULTIPLE SCREW TECHNOLOGIES

YOU CAN CHOOSE:

- Solid nuts of bronze (15, 20 sizes) or engineered resins (10, 15 sizes) offer quiet performance at the lowest cost
- Ball nuts offer efficiency, longer life, and higher force capability



DURABLE IP69K SEALS

- Polyurethane for IP69k ingress protection and resistance to caustic wash-down
- Clean-in-place compatible

MOTOR PROTECTION

Designed to protect motor with IP69k rating (static)

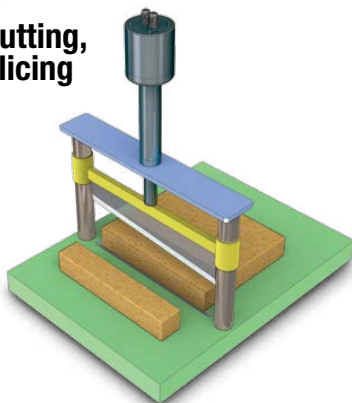
SMOOTH EXTERIOR

This primary design decision eases cleanup and helps to prevent bacterial growth

ALL 300 SERIES STAINLESS STEEL CONSTRUCTION

- 300 series stainless steel for corrosion resistance
- Simplifies and lowers cost of machine design by eliminating the need for protective guards around standard actuators

Cutting, Slicing



Available Options:

MOUNTING

- Foot Mounts
- Front Flange
- Trunnion (15 & 20 sizes)

ENVIRONMENTAL PROTECTION

- Food grade grease

SENSORS

- With mounting bracket

Applications:

- Aligning
- Chopping
- Conveyors
- Cutting
- Diverting
- Dumping
- Filling
- Gating
- Medical equipment
- Open / close doors
- Open / close lids
- Packaging equipment
- Pick & place
- Plate positioning change
- Slicing
- Sorting
- Volumetric pumps & more!

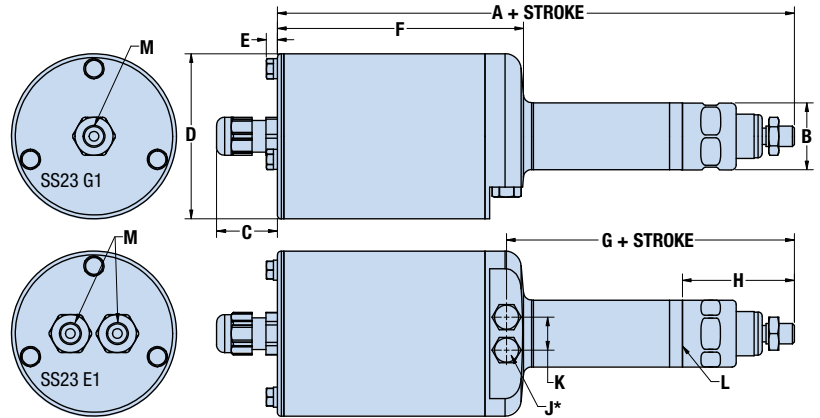
SS2 STAINLESS STEEL ELECTRIC ACTUATOR WITH INTEGRATED MOTOR

Specifications (metric measurement)

ERD SIZE	MAXIMUM STROKE	SCREW CODE	LEAD	LEAD ACCURACY	BACKLASH	MAXIMUM THRUST	DYNAMIC LOAD RATING
mm			mm/rev	mm/300mm	mm	N	N
10	254.0	SNO1	25.4	0.18	0.18	188	NA
		SNO2	12.7	0.18	0.18	188	NA
		SNO5	5.08	0.18	0.18	188	NA
		BNM05	5.00	0.87	0.13	445	1068
15	304.8	SNO1	25.4	0.15	0.18	334	NA
		SNO2	12.7	0.13	0.18	334	NA
		SNO5	5.08	0.15	0.18	334	NA
	609.6	BNM05	5.00	0.87	0.13	890	2002
		BNM10	10.00	0.87	0.13	890	1779
20	609.6	BZ10	2.54	0.15	0.20	890	NA
		BNM05	5.00	0.87	0.13	2224	4003
		BNM10	10.00	0.87	0.13	2224	4003
		BNM20	20.00	0.87	0.10	2224	11387
		BZ10	2.54	0.15	0.20	2224	NA

ERD-SS2

Dimensions SIZE: 10, 15, 20



	ERD10	ERD15	ERD20
A mm	204.0	282.70	311.4
B mm	26.42	41.61	52.10
C mm	24.00	24.00	24.00
D mm	65.10	89.00	89.00
E mm	4.39	5.27	5.27
F mm	100.99	134.98	171.64
G mm	113.56	143.76	164.80
H mm	44.17	53.04	72.48
J* mm	M6 x 1.0	M6 x 1.0	M6 x 1.0
K mm	13.00	13.00	23.37
L	Surface for mounting options		

M	Code	Encoder Code	Available cable exit options:
	SS21	G1,E1	no cord grips 1/2" NPT tapped hole
	SS22	G1,E1	no cord grips M20 x 1.5 tapped hole
	SS23	G1	1 cord grip (motor, no encoder)
		E1	2 cord grips (motor, with encoder)

*Unit ships standard with hex bolts in these tapped holes
NOTE: IP67 is a static rating

COMPLETE INFORMATION, SIZING SOFTWARE AND SOLID MODELS AVAILABLE AT:
www.tolomatic.com



MADE IN U.S.A.

Tolomatic™

EXCELLENCE IN MOTION

COMPANY WITH QUALITY SYSTEM CERTIFIED BY DNV = ISO 9001 = Certified site: Hamel, MN

USA - Headquarters

Tolomatic Inc.
3800 County Road 116
Hamel, MN 55340, USA
Phone: (763) 478-8000
Toll-Free: **1-800-328-2174**
sales@tolomatic.com
www.tolomatic.com

MEXICO

Centro de Servicio
Parque Tecnológico Innovación
Int. 23, Lateral Estatal 431,
Santiago de Querétaro,
El Marqués, México, C.P. 76246
Phone: +1 (763) 478-8000
help@tolomatic.com

EUROPE

Tolomatic Europe GmbH
Elisabethenstr. 20
65428 Rüsselsheim
Germany
Phone: +49 6142 17604-0
help@tolomatic.eu
www.tolomatic.com/de-de

CHINA

Tolomatic Automation Products (Suzhou) Co. Ltd.
No. 60 Chuangye Street, Building 2
Huqiu District, SND Suzhou
Jiangsu 215011 - P.R. China
Phone: +86 (512) 6750-8506
Tolomatic_China@tolomatic.com

All brand and product names are trademarks or registered trademarks of their respective owners. Information in this document is believed accurate at time of printing. However, Tolomatic assumes no responsibility for its use or for any errors

that may appear in this document. Tolomatic reserves the right to change the design or operation of the equipment described herein and any associated motion products without notice. Information in this document is subject to change without notice.

Visit www.tolomatic.com for the most up-to-date technical information