

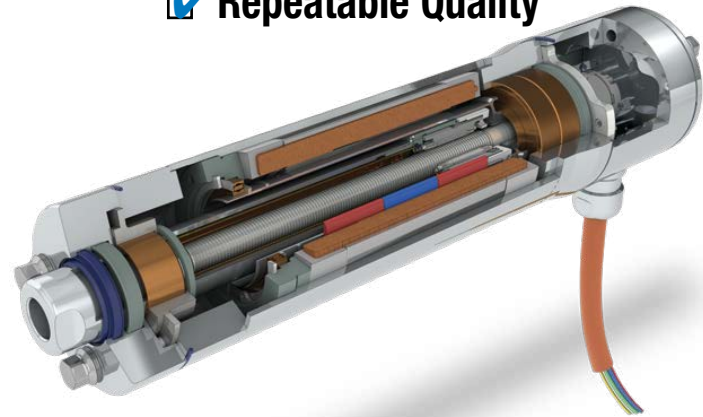
OEM ACTUATOR SOLUTIONS

Engineers trust Tolomatic

✓ Massive Toolbox of Actuators



✓ Repeatable Quality



✓ Engineering Collaboration



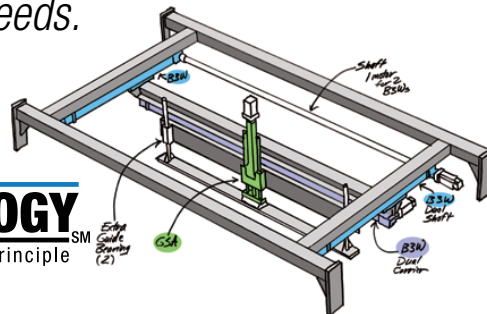
✓ Form Factor



OEM Engineers Trust Tolomatic

Your reputation as an engineer, your products' success and the image of your company rely on putting the right components in your system. Tolomatic will work with you through the product development process to create the best solution for your application. We will then build actuators to support your build forecast with high quality & reliability to insure your new product succeeds.

Concept



ENDURANCE TECHNOLOGYSM

A Tolomatic Design Principle

ENGINEERING STEPS:	TOLOMATIC'S VALUE ADD:
<p>Concept Design:</p>	<ul style="list-style-type: none"> • On-line Sizing Software • Broad Configurable Product Catalog • Application Engineering Collaboration • Possible Product Modifications
<p>3-D Final Layout:</p>	<ul style="list-style-type: none"> • YMH (Your Motor Here) • On-line CAD Files
<p>Prototype Testing:</p>	<ul style="list-style-type: none"> • Tolomatic Lab • Field Prototypes • Iterative Design
<p>Manufacturing:</p>	<ul style="list-style-type: none"> • Speed of Delivery • High Quality • High Duty Cycle/Critical Motion



CONTACT AN ENGINEER



ACTUATOR SIZING



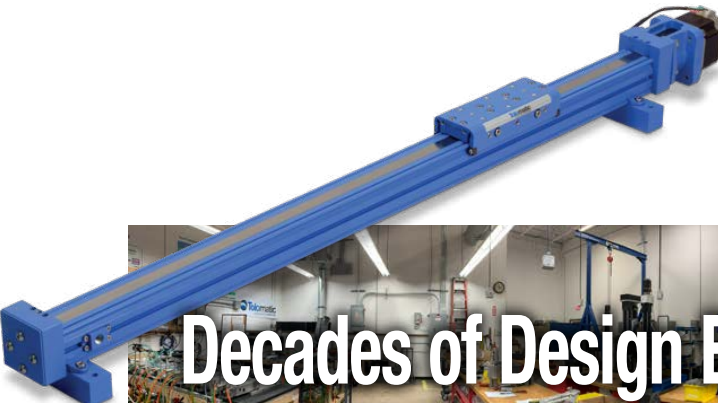
3D CAD
CAD LIBRARY



YOUR MOTOR HERE®

ON-LINE TOOLS AVAILABLE

Flexible Designs



Decades of Design Experience at Your Service

Design with Tolomatic



We offer 3 different levels of design options to find the right fit for your new OEM product. Work directly with our engineering team to see options and evaluate pro's and con's.

Level 1 Designs:

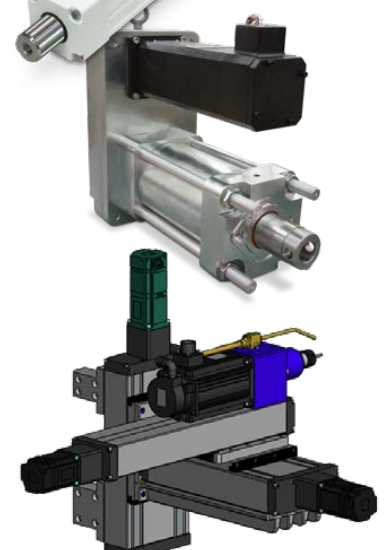
- Standard product and standard options
- On-line Sizing Software
- Testing 1st article (Alpha/Beta) machine assembly (proof of concept unit)
- Your Motor Here Flexibility
- 3-D on-line CAD files Available



Can't find what you need for this design...?

Level 2 Designs:

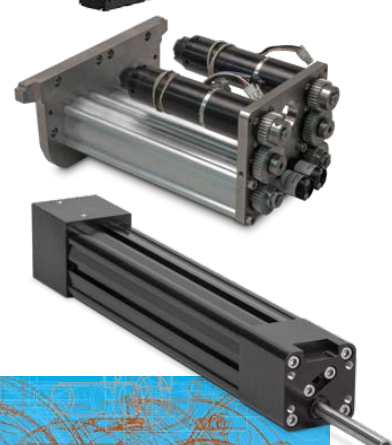
- Modifying standard products or non-catalog options
- Engineering discussions with Tolomatic
- Factory provided quotes & pricing
- Lab testing on actuator performance (component only)
- Factory provided drawings



STILL can't find what you need for this design...?

Level 3 Designs:

- Custom designs (white sheet of paper)
- Design engineering and development costs may apply
- Only done for larger volumes
- Factory acceptance testing of actuator



Contact Tolomatic to Start Designing Your Solution

The Tolomatic Difference Expect More From the Industry Leader:



INNOVATIVE PRODUCTS

Solutions with Endurance TechnologySM for challenging applications.



FAST DELIVERY

Built-to-order with configurable stroke lengths and flexible mounting options.



ACTUATOR SIZING

Size and select electric actuators with our online software.



YOUR MOTOR HERE[®]

Match your motor to compatible mounting plates with Tolomatic actuators.



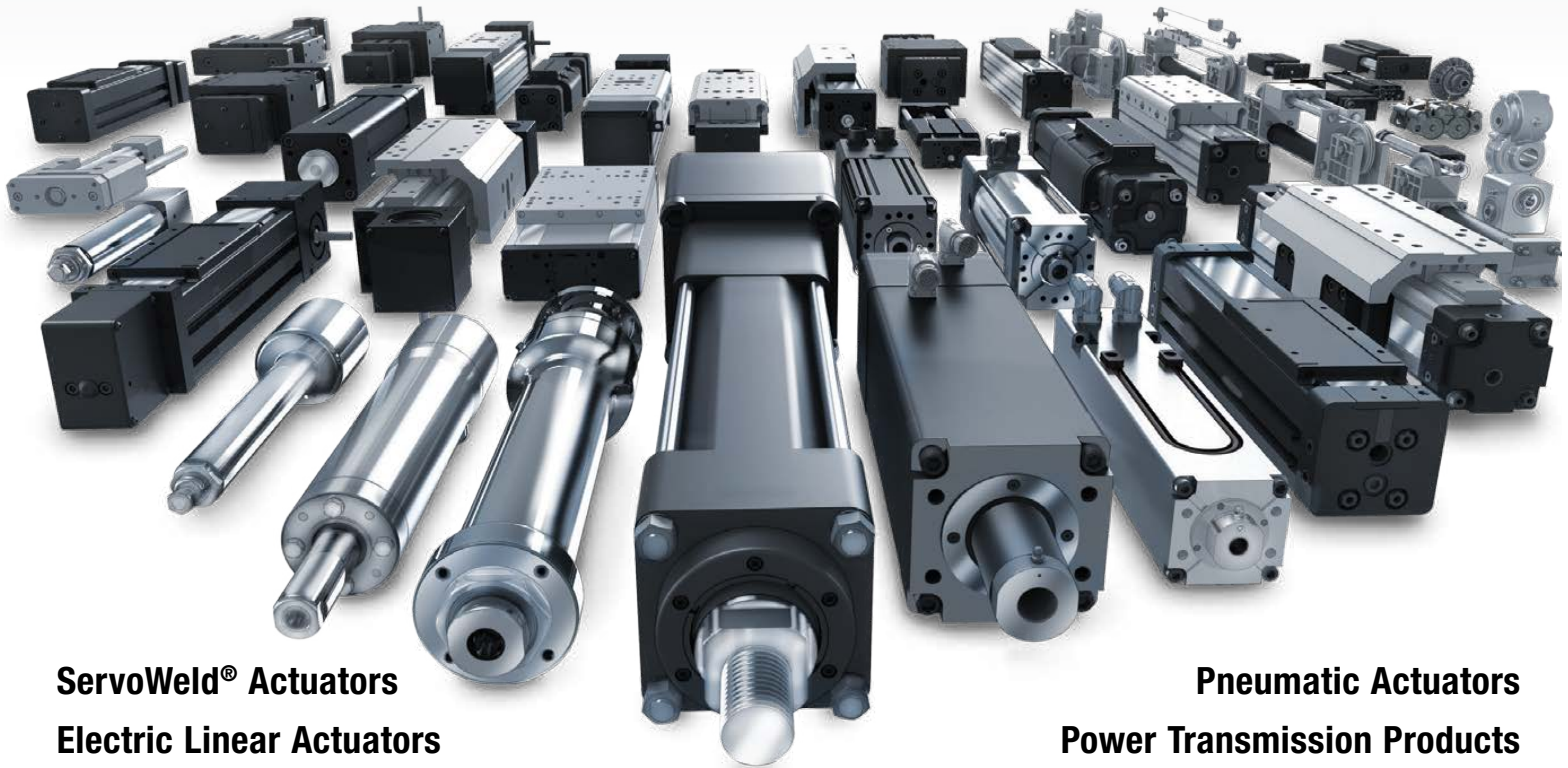
CAD LIBRARY

Download 2D or 3D CAD files for Tolomatic products.



TECHNICAL SUPPORT

Get a question answered or request a virtual design consultation with one of our engineers.



ServoWeld[®] Actuators
Electric Linear Actuators

Pneumatic Actuators
Power Transmission Products



MADE IN U.S.A.

TolomaticTM

EXCELLENCE *IN MOTION*

COMPANY WITH
QUALITY SYSTEM
CERTIFIED BY DNV
= ISO 9001 =
Certified site: Hamel, MN

USA - Headquarters

Tolomatic Inc.
3800 County Road 116
Hamel, MN 55340, USA
Phone: (763) 478-8000
Toll-Free: **1-800-328-2174**
sales@tolomatic.com
www.tolomatic.com

MEXICO

Centro de Servicio
Parque Tecnológico Innovación
Int. 23, Lateral Estatal 431,
Santiago de Querétaro,
El Marqués, México, C.P. 76246
Phone: +1 (763) 478-8000
help@tolomatic.com

EUROPE

Tolomatic Europe GmbH
Elisabethenstr. 20
65428 Rüsselsheim
Germany
Phone: +49 6142 17604-0
help@tolomatic.eu
www.tolomatic.com/de-de

CHINA

Tolomatic Automation Products (Suzhou) Co. Ltd.
No. 60 Chuangye Street, Building 2
Huqiu District, SND Suzhou
Jiangsu 215011 - P.R. China
Phone: +86 (512) 6750-8506
TolomaticChina@tolomatic.com

All brand and product names are trademarks or registered trademarks of their respective owners. Information in this document is believed accurate at time of printing. However, Tolomatic assumes no responsibility for its use or for any errors

that may appear in this document. Tolomatic reserves the right to change the design or operation of the equipment described herein and any associated motion products without notice. Information in this document is subject to change without notice.

Visit www.tolomatic.com for the most up-to-date technical information