

	CSW	CSWX
Force capability	15.6 kN (3,500 lbf)	18 kN (4,047 lbf)
Typical Weld Estimated Life	20 million	30 million
Warranty	12 months	24 months
Roller Screw	RN05 & RN10	RN05XR & RN10
Motor	3-stack	3-stack & 4-stack
Options:	NA	Force Feedback
	NA	Long Stroke

INTEGRATED WATER COOLING OPTION

- 23% more efficient compared to external designs
- Allows for increased duty cycle and welds/hour

PEAK FORCE
15.6 kN (3,500 lbf)

STANDARD STROKE LENGTHS

- 160 mm (6.3 in)
- 200 mm (7.9 in)
- 250 mm (9.8 in)
- 300 mm (11.8 in)

LARGE THRUST TUBE
40% larger diameter for greater stability

REPEATABILITY
Force repeatability of $\pm 3\%$ for entire life of actuator

HIGH SPEED

- 10 mm lead option
- 700 mm/s (27.5 in/sec)

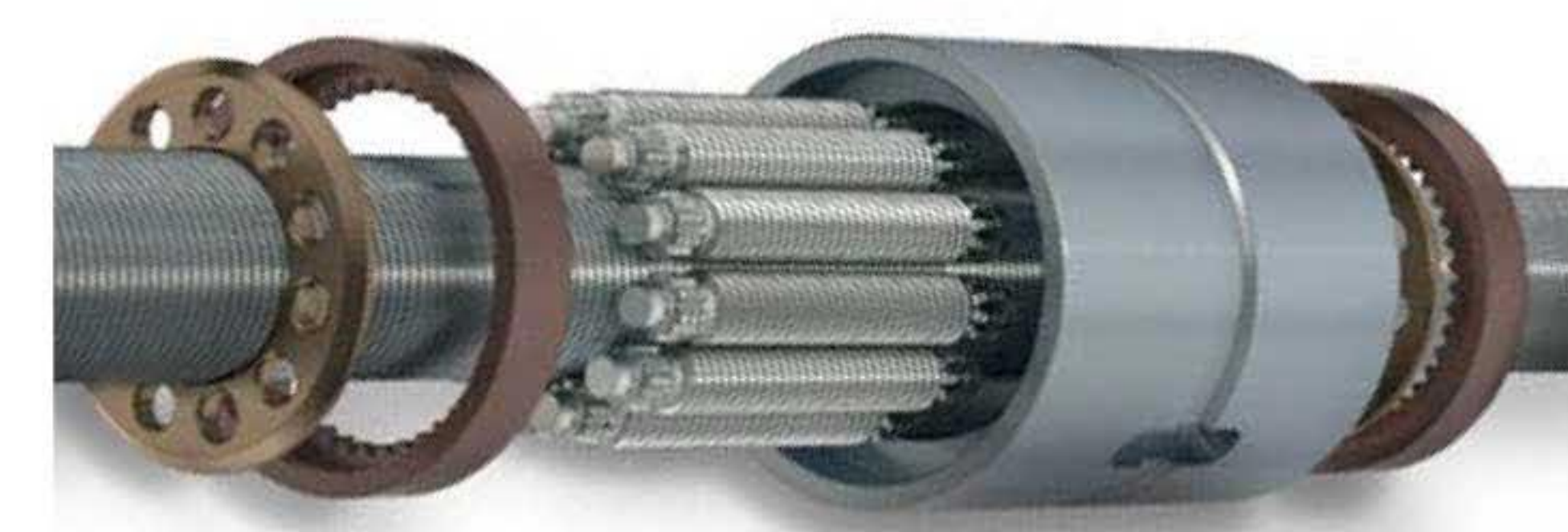
OPTIONAL INTEGRATED ANTI-ROTATE
Optional machined 'Double-D' thrust rod designed to provide internal anti-rotation

MID-TRUNNION MOUNTING



Rectangular extrusion is easy to adapt to a wide variety of mounting locations

TOLOMATIC PLANETARY ROLLER SCREW



• 5mm • 10mm

