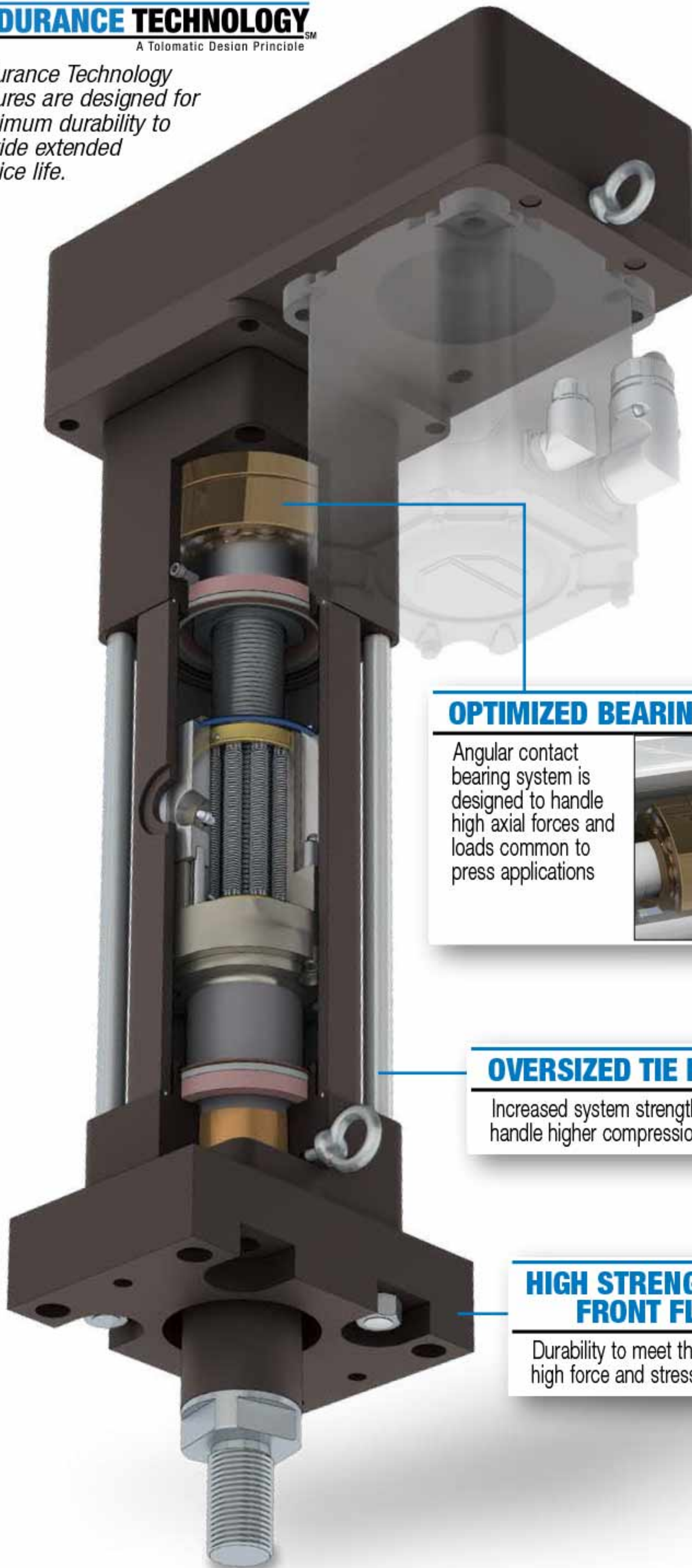


RSX PRESS MODEL

Tolomatic™
EXCELLENCE IN MOTION
... **MAXIMUM DURABILITY**

ENDURANCE TECHNOLOGY™ A Tolomatic Design Principle

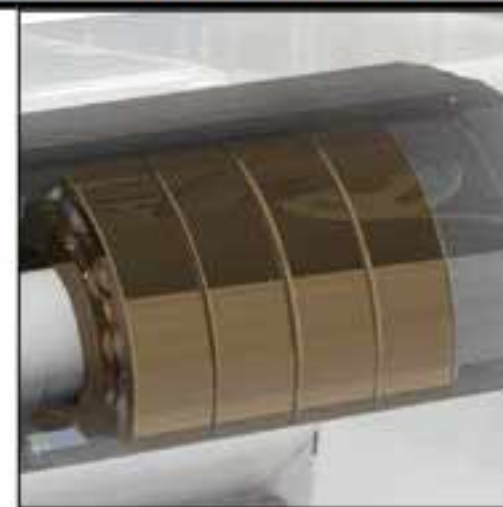
Endurance Technology features are designed for maximum durability to provide extended service life.



The RSX23P & RSX33P press actuators expand the compression force capability to 23 & 33 tons (46,000 & 66,000 lbf) making them well suited for applications such as pressing, riveting, clinching and many others. These press models have the same features as the standard RSX on pages 4 & 5 plus oversized tie rods, a bearing system optimized for high force extend, and a high strength steel front flange.

OPTIMIZED BEARING SYSTEM

Angular contact bearing system is designed to handle high axial forces and loads common to press applications



OVERSIZED TIE RODS

Increased system strength to handle higher compression forces

HIGH STRENGTH STEEL FRONT FLANGE

Durability to meet the demands of high force and stress applications